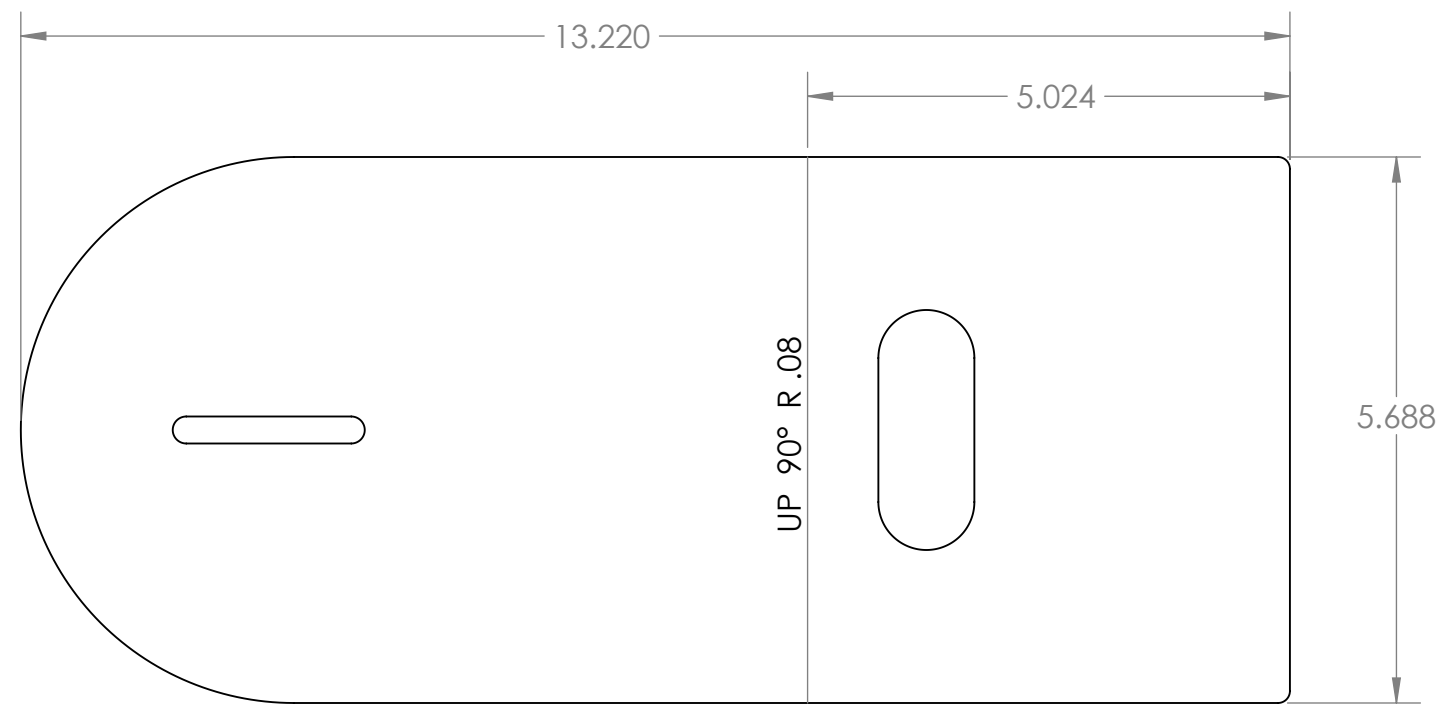
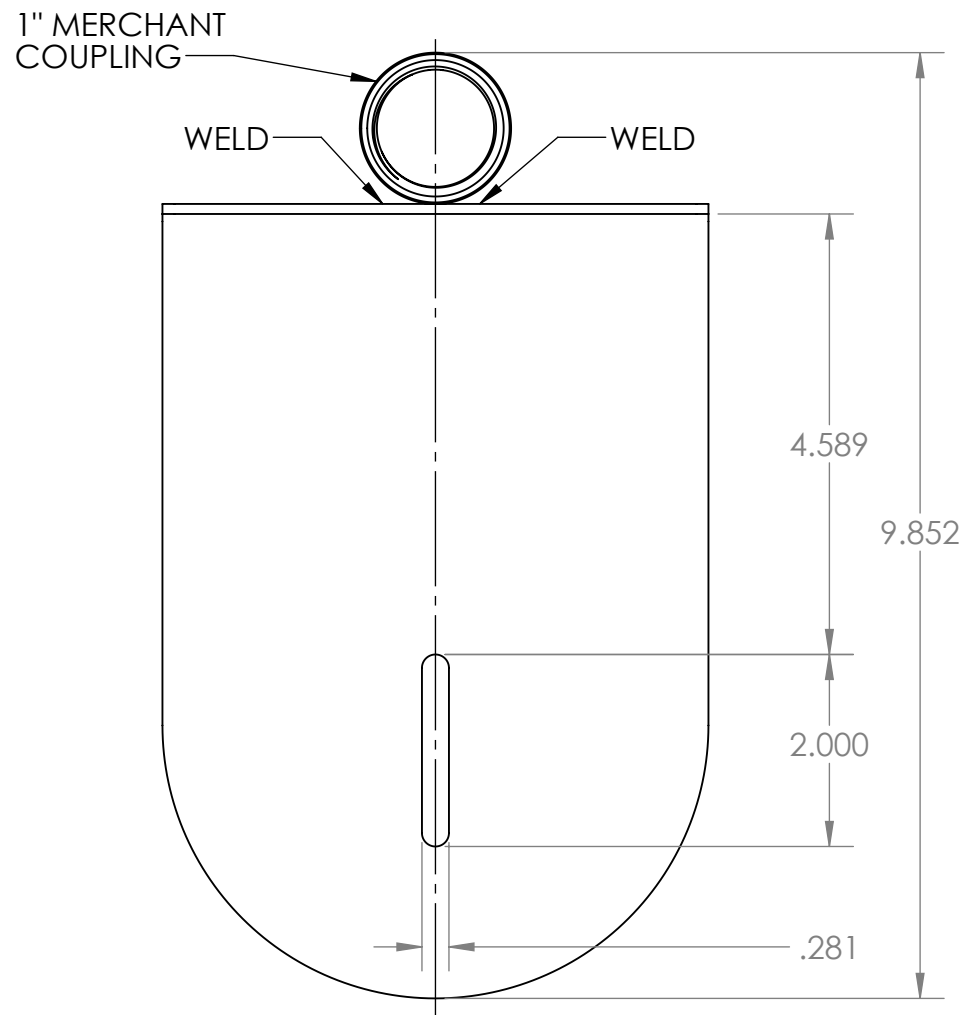
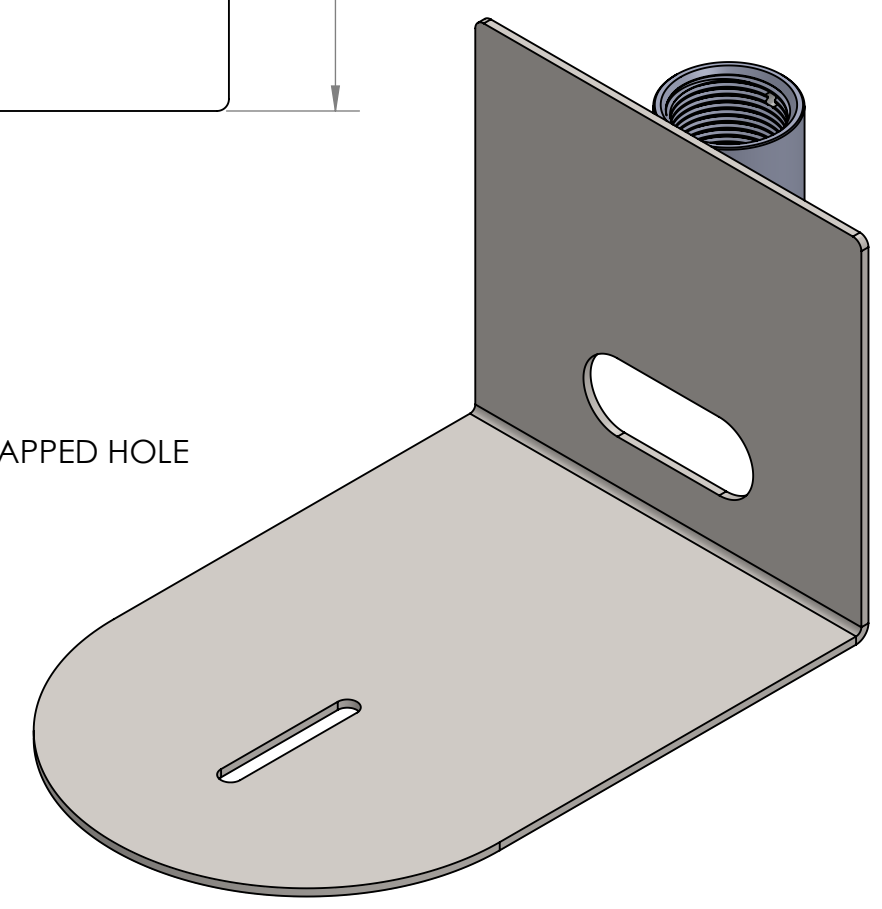


4 3 2 1



FLAT PATTERN

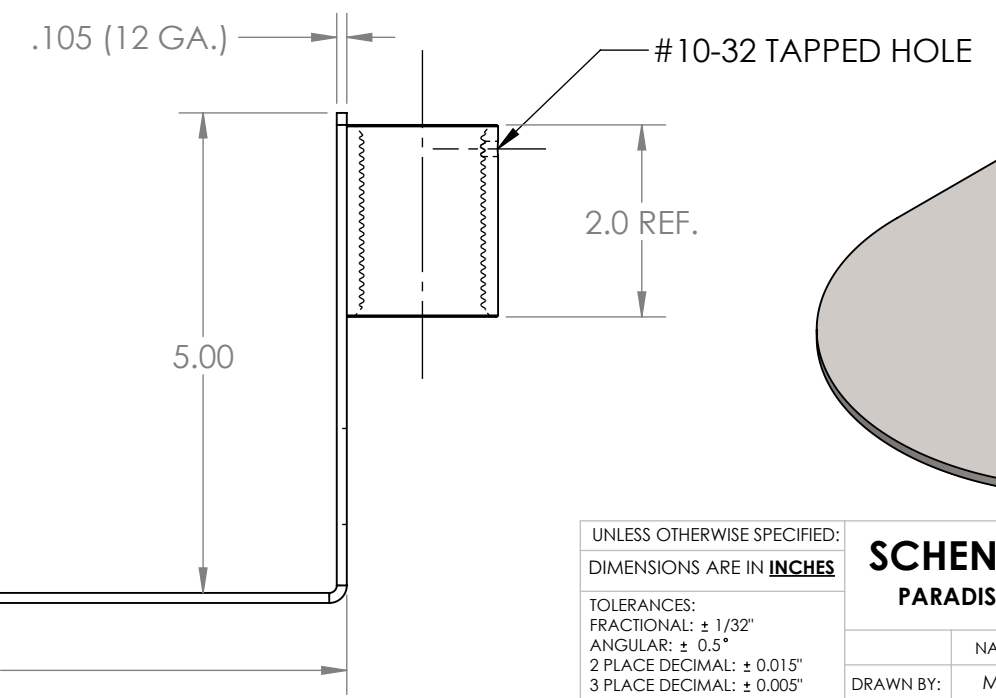
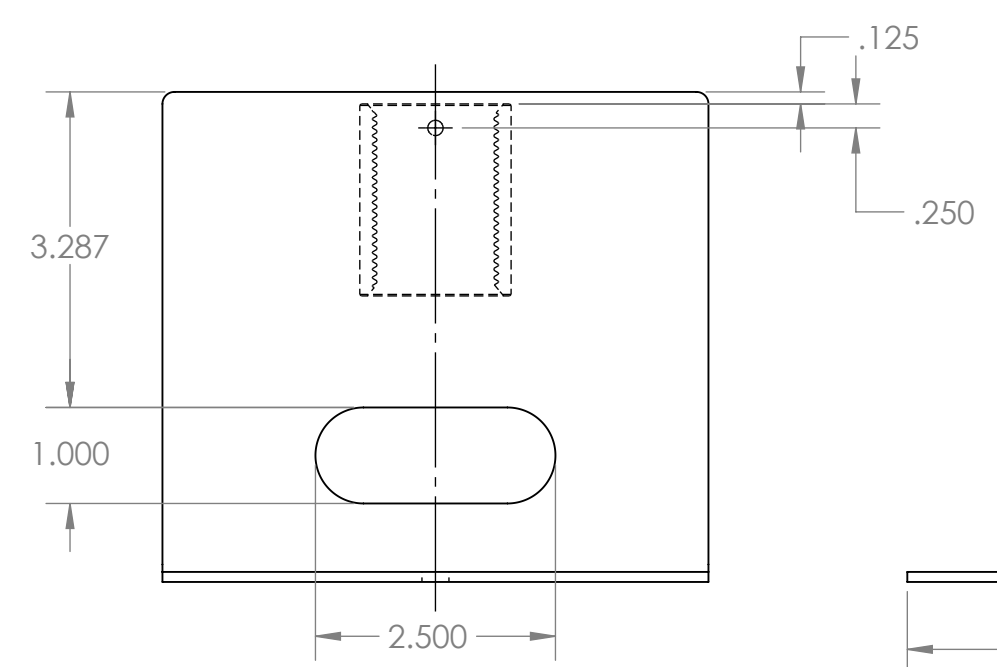


B

B

A

A



- NO BURRS ALLOWED
- MUST BE SCRATCH-FREE
- DRAWING MAY NOT BE FULLY DIMENSIONED. SEE MODEL.

HCM-1C-WH: POWDER COAT: TIGER 049/13150 (WHITE FINE TEXTURE)
 HCM-1C-BK: POWDER COAT: TIGER 039/80200 (BLACK FINE TEXTURE)

PROPRIETARY AND CONFIDENTIAL
 THE INFORMATION CONTAINED IN THIS DRAWING IS THE SOLE PROPERTY OF SCHENKE TOOL COMPANY. ANY REPRODUCTION IN PART OR AS A WHOLE WITHOUT THE WRITTEN PERMISSION OF SCHENKE TOOL COMPANY IS PROHIBITED.

UNLESS OTHERWISE SPECIFIED:	
DIMENSIONS ARE IN INCHES	
TOLERANCES:	
FRACTIONAL: ± 1/32"	
ANGULAR: ± 0.5°	
2 PLACE DECIMAL: ± 0.015"	
3 PLACE DECIMAL: ± 0.005"	
FILLETS: .005" MAX.	
MATERIAL	12 GA STEEL
FINISH	
DO NOT SCALE DRAWING	

SCHENKE TOOL
 PARADISE, PA 17562

	NAME	DATE
DRAWN BY:	MAS	6/14/2020
CHECKED:		
COMMENTS:		

CUSTOMER:			HAVERFORD SYSTEMS		
PROJECT:			WALL MOUNT BRACKET		
DESCRIPTION:			SMALL WALL MOUNT		
SIZE	DWG. NO.	REV			
B	HCM-1C				
SCALE: 1:4	WEIGHT:	SHEET 1 OF 1			

4 3 2 1