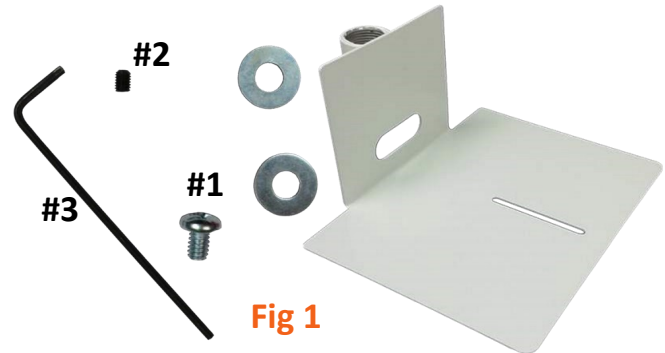


### What's Included



QTY 1—Large Ceiling Mount BK/WH

QTY 1—1/4"-20x 3/8" PPH and QTY 2—1/4" Machine Screw Flat Washer (Fig 1, #1)

QTY 1—10/32 x 1/4" cup point set screw (Fig 1, #2)

QTY 1— 3/32" long arm hex wrench (for set screw) (Fig 1, #3)

### Mounting Instructions

#### Step 1

Screw 1" NPT pipe, or pipe nipple, to a properly installed mounting plate or pipe flange (Fig 2).

Tighten until pipe can no longer be tightened with a pipe wrench.

If using a 1.5" plate or flange you must use a 1.5" - 1" reducing bushing (Fig 3).

**NOTE: Plate/flange, reducer bushing and 1" NPT pipe or nipple are not included.**

#### Step 2

Screw mount to pipe securely, engaging a minimum of 1/2" of pipe into mount (Fig 4). When aligned to desired location, tighten set screw (Fig 1, #2) to 30-36 in-lbs of torque (this is approximately when the set screw will stop moving and the long arm of the "long arm hex wrench" (Fig 1, #3) will start to bend slightly).



Fig 2



Fig 3



Fig 4

## Mounting Instructions Continued...

### Step 3

Mount camera upright to top of mount or invert to bottom of mount with included 1/4-20 machine screw. (Fig 1, # 1) Utilize (0,1,2) 1/4" machine screw flat washers as required. (Fig 1, #1) **Note:** 1/4" machine screw flat washers are to be used depending upon depth of thread insert in base of camera, in order to achieve a snug fit.

### Step 4

Pass cabling through pipe or dress to outside of pipe and connect for a clean installation.



---

## Mount Compatibility

### HuddleCamHD

HC12X-HUDDLEVIEW

HC20X-SIMPLETRACK2

Generation 1 USB 3.0 HuddleCamHD cameras

### Other Cameras...

This mount has been designed for use with most larger based cameras utilizing a 1/4-20" mounting hole as can be found on SONY, Panasonic, Cisco, Polycom and Vaddio cameras.



---

For more information on HuddleCamHD mounts and other products please visit:

<https://huddlecamed.com>



Rev 2.1  
5/15/2020