

8

7

6

5

4

3

2

1

H

H

G

G

F

F

E

E

D

D

C

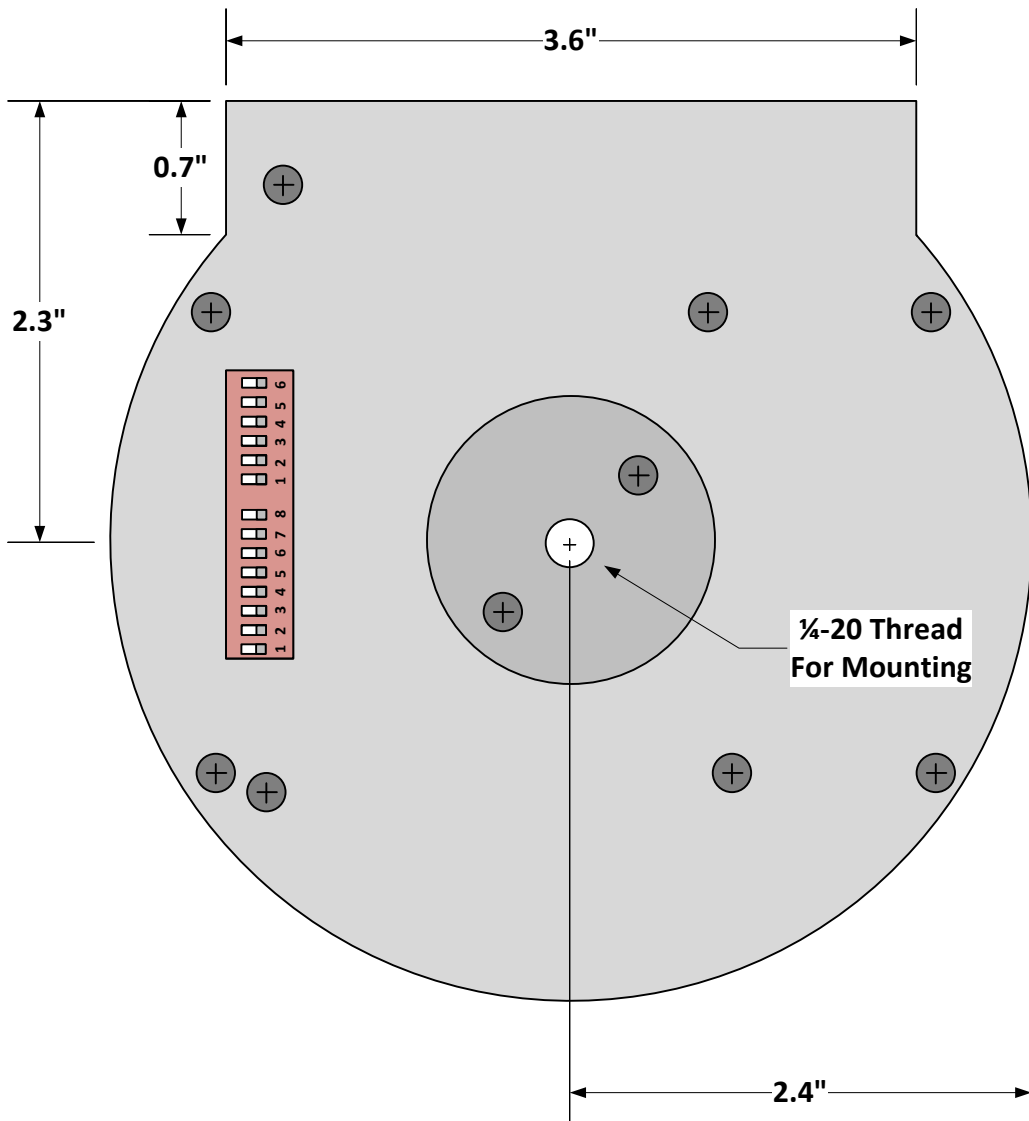
C

B

B

A

A



Conference Room Systems
 152 Robbins Road
 Downingtown, PA 19335
 800-486-5276

Base Plate - Dimensioned

HuddleCamHD 3X / 10X

| | | | | |
|-----------|-------|---------|--------|----------|
| MID | SIZE | FSCM NO | DWG NO | REV A |
| 9/10/2014 | SCALE | 1 : 1 | SHEET | 1 OF 1 |

8

7

6

5

4

3

2

1